

www.amarjacquard.com



AMAR JACQUARD
SINCE 1975

AMAR JACQUARD

SERIES



“Leading technology in
textile weaving machines”



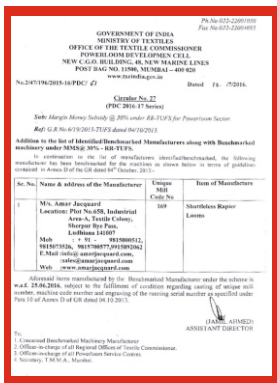
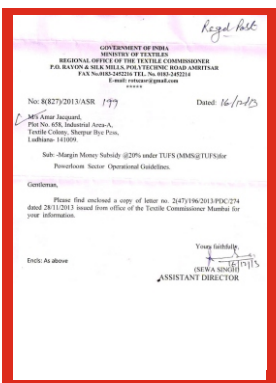
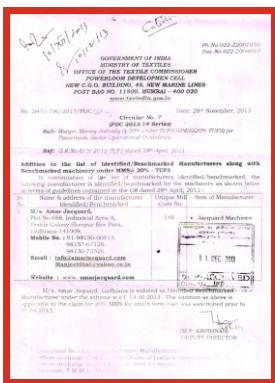
AMAR JACQUARD is Trendsetter in design & manufacturer of electronic jacquard's complete range like CAMARO Series, GRAVITY Series, Compass Series in all hooks with advance weaving technology for all types of designing fabrics.

Throughout the history of **AMAR JACQUARD** our philosophy remains unchanged, continual investment In Quality and R&D. This resulted in the invention of the automatic electronic jacquard years ago. To our valued customers we have the technology and expertise to consistently offer the very best in speed, reliability, robustness and efficiency within the global marketplace of Jacquard weaving.

AMAR JACQUARD is on the drafting committee for national electronic jacquard Industry standard. Products are used in the whole country and exported to **South American Region:** Ecuador, Peru, Chile, Bolivia as well as **Middle east:** Turkey, UAE. **Asian Region:** Bangladesh, Nepal, Sri Lanka, Indonesia, Malaysia, Uzbekistan, Turkmenistan, Afghanistan.

Our main products range are: HIGH SPEED ELECTRONIC JACQUARD, HIGH SPEED RAPIER LOOM, NAME WRITER JACQUARD, TUCK-IN DEVICE, CRANK BASED RAPIER LOOM, AIRJET LOOM and all Accessories.

Fabrics can Produce are: Woolen Shawls, Stoles, Scarves, Suits, Saree, Blankets, Curtains, Carpets Dress Materials, Sherwanis, Cloth Fabrics & Technical Fabrics.





QUALITY FOCUS

AMAR's committed for total customer satisfaction in the field of computerised jacquard machinery with rapier looms with latest micro-controller with quality and upgrading technology.

CUSTOMER FOCUS

AMAR JACQUARD asserts its position as a global innovator by:-

- Offering customers the best products and services in terms of both quality and performance.
- Actively supporting initiatives aimed at improving products and services.
- Maintaining synergy between the needs of customers, suppliers, shareholders staff and environmental concerns.

Innovation is AMAR'S Driving Force. In our constant search for excellence, we expand our expertise and experience in manufacturing by designing, producing, selling and providing support for products and systems in markets where high productivity levels are essential. The company is continuously investing in latest technology to adopt 4.0 Industry standards.



HIGH SPEED
ELECTRONIC JACQUARD
CAMARO SERIES



AMAR JACQUARD
SINCE 1975



HIGH SPEED CONJUGATE CAM STRUCTURE JACQUARD

CAMARO SERIES
Designing the *Future*

HIGH SPEED ELECTRONIC JACQUARD CAMARO SERIES

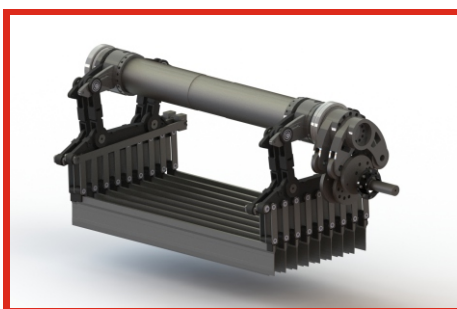
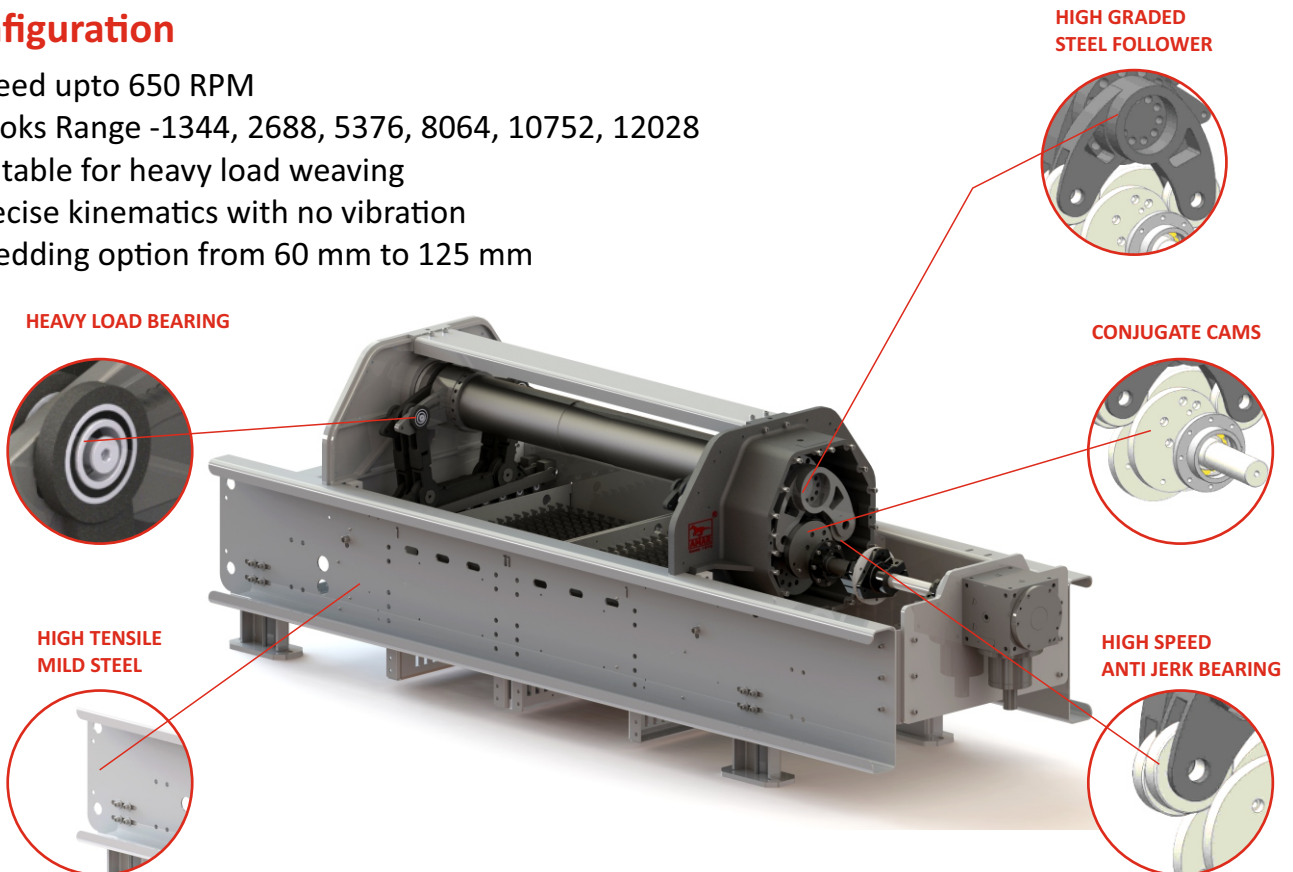


AMAR JACQUARD
SINCE 1975

AMAR CAMARO SERIES JACQUARD are ideal for weaving Flat Fabrics on all types of Rapier, Airjet and Waterjet Looms. It produces excellent results in nearly all applications, whether with Terry Cloth, Sarees, Shawls, Stolls, Blankets, Silk, Curtains as well as Technical items.

Configuration

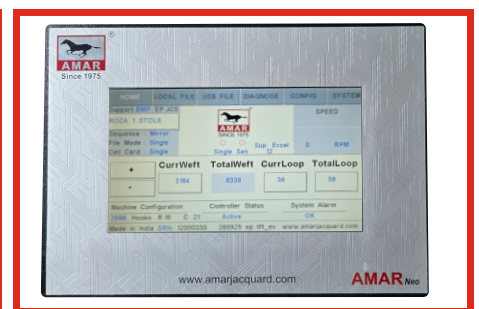
- Speed up to 650 RPM
- Hooks Range -1344, 2688, 5376, 8064, 10752, 12028
- Suitable for heavy load weaving
- Precise kinematics with no vibration
- Shedding option from 60 mm to 125 mm



RIGID MECHANISM WITH SPECIAL GRADE & TEMPERED ALLOY MATERIAL IN KNIFE BLADES



SINGLE I.C. CL CARD WITH SELF SHORTING SAFETY SYSTEM

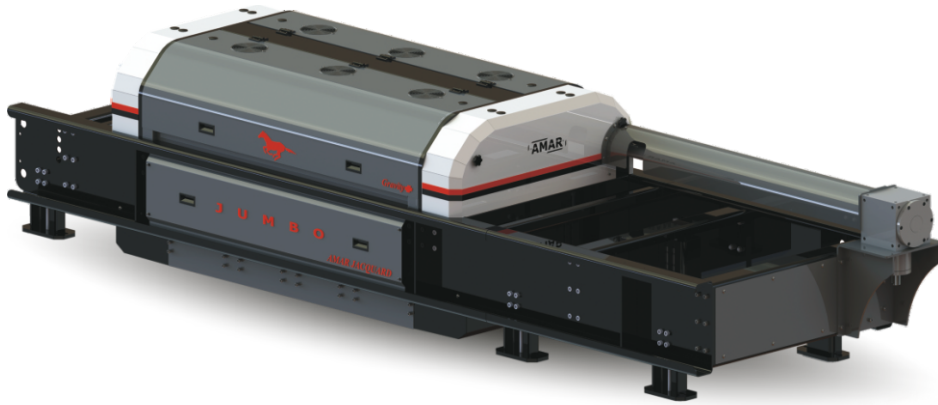


LATEST TECHNOLOGY TOUCH CONTROLLER
NEO SERIES

ADVANTAGES

- The Jacquard Machines **CAMARO** are very robust, wear-resistant and designed for many years of daily use with a minimum of maintenance.
- Quick & Easy to install
- Suitable for very Heavy Load Weaving
- Precise Kinematics with No Vibration
- Low Friction Engineering reduces Energy Consumption
- Safe, Straight Forward Access to make Machine Adjustment

HIGH SPEED
ELECTRONIC JACQUARD
GRAVITY SERIES



4032 to 12096



1792 to 2688



640 to 1536



AMAR JACQUARD
SINCE 1975

GRAVITY SERIES
Weaving Expert

HIGH SPEED ELECTRONIC JACQUARD GRAVITY SERIES

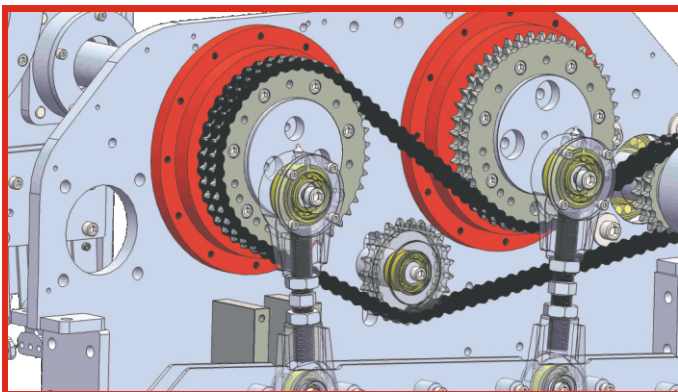


AMAR JACQUARD
SINCE 1975

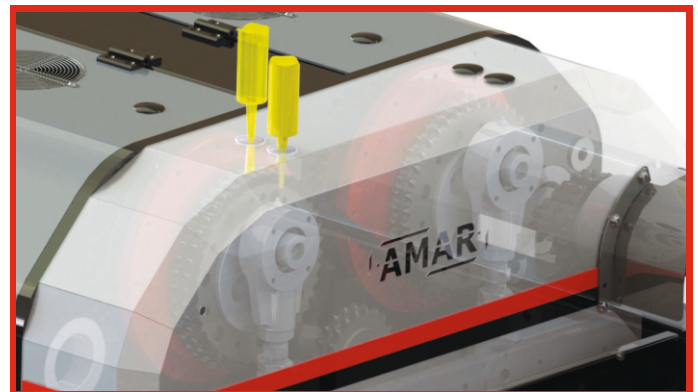
Amar Electronic Jacquard Machines Gravity Model are ideal for weaving Flat Fabrics on all types of Ravier. Airjet and Waterjet Looms. They produce excellent results in nearly all applications whether with Terry Cloth, Sarees, Shawls, Stolls, Blankets, Curtains as well as Technical items.

ADVANTAGES

- The Jacquard Machines Gravity and Gravity Plus are very robust, wear-resistant and designed for many years of daily use with a minimum of maintenance.
- Quick & Easy to install
- Suitable for very Heavy Load Weaving
- Precise Kinematics with No Vibration
- Low Friction Engineering reduces Energy Consumption
- Safe, Straight Forward Access to make Machine Adjustment



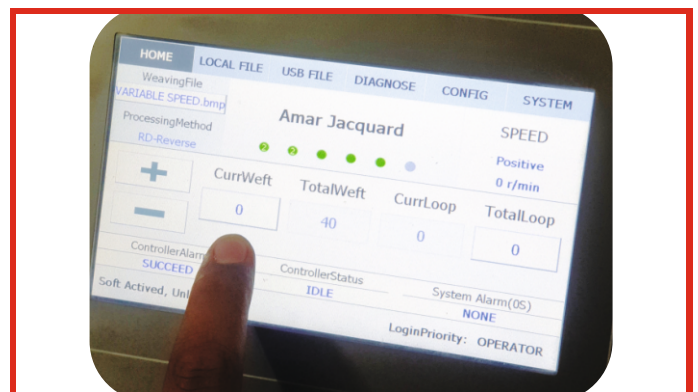
**HIGH QUALITY DIAMOND EUROPEAN STANDARD
DUPLEX CHAIN WITH HIGH TEMPER**



**EASY LUBRICATION AND GREASING
NO NEED TO OPEN COVER**



PLUG & PLAY POWER SOCKET



**EASY LUBRICATION AND GREASING
NO NEED TO OPEN COVER**

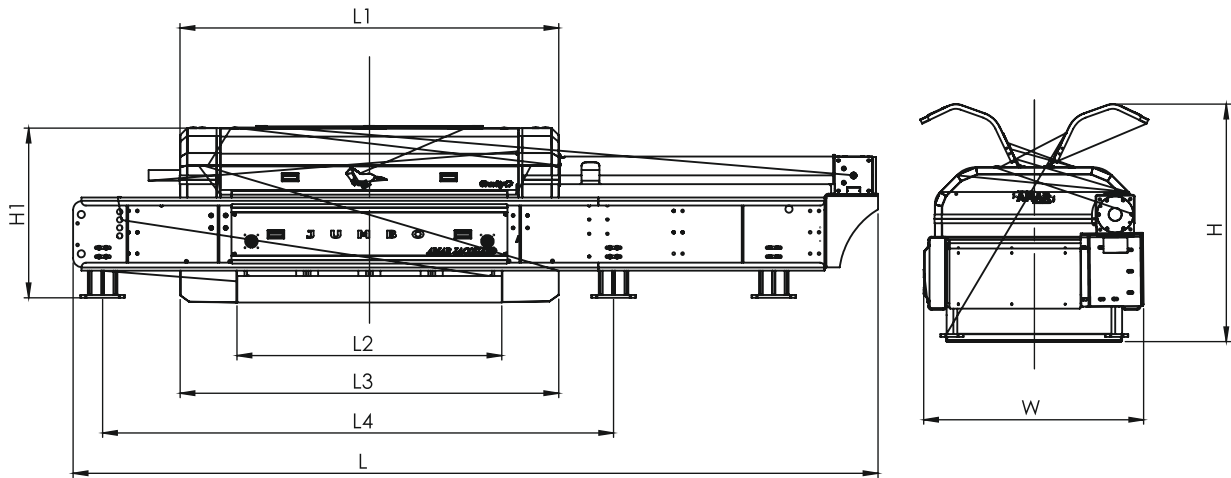
DRIVE SYSTEM & SHEDDING-DOUBLE LIFT OPEN SHED JACQUARD MACHINE

- Gear Mechanism upto 640, 960, 1344, 1536 Hooks
- Chain Mechanism with 1792, 2048, 2688, 3072, 4032, 5376, 6144, 10752, 12096 Hooks
- Precise Adjustment of Shed Geometry
- Main Drive available with Chain & Gear Box
- High Quality Aluminium Blades for Low Vibration
- Shedding option from 60mm to 125mm

HIGH SPEED
ELECTRONIC JACQUARD
 GRAVITY SERIES



AMAR JACQUARD
 SINCE 1975



MODEL	L1	L2	L3	L4	L	H1	H	W
5376	2128	1488	2127	2872	4523	953	1335	1230
4032	1645	1075	1645	1953	3110	871	1200	1175
2688	1645	1075	1645	1953	3110	871	1200	928
2048	1417	843	1420	1726	3010	871	1200	928
1792	1305	731	1305	1615	2930	871	1200	928
1536	1422	827	1422	1678	2752	810	1045	722
1344	1332	738	1332	1578	2700	810	1045	722
960	1378	754		1553	2692	810	1045	555
640	1123	527		1278	2692	810	1045	555

SCAN QR CODE TO
 DOWNLOAD OUR APP



Amar Intelligent Cloud Service

AMAR INTELLIGENT CLOUD SERVICE (AICS) is latest APP development by AMAR Jacquard. The app special designed for our customers. The motto of this application is to maintain customer's direct interaction with company's director. So that customer can take after sale support on time with 100% transparency. It saves customer time and money. This app is available on both platform Android and App store.

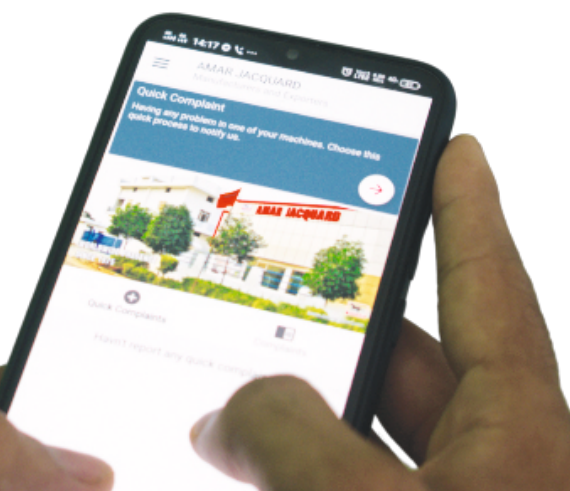
We are regular updating this app as per customer requirements.

BENEFITS

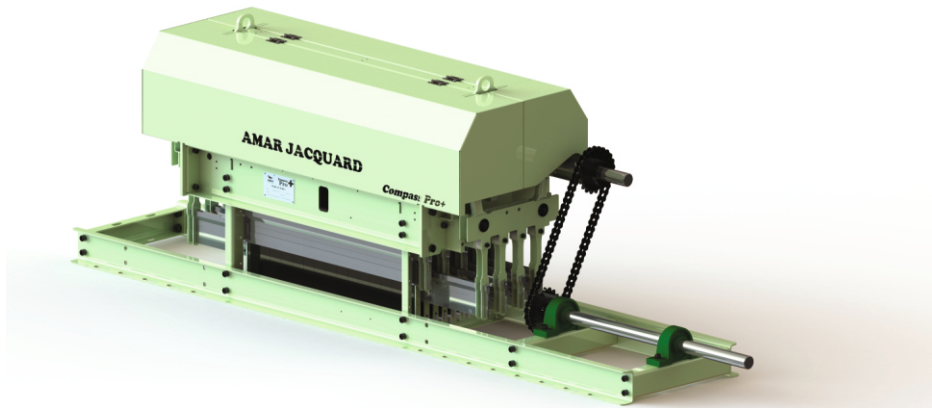
- Can check machines serial number
- Can check machines installation date
- Can check service reports
- Can check faults
- Can check machines warranty
- Can chat with direct service executive
- Can track service engineer location
- Can give feedback



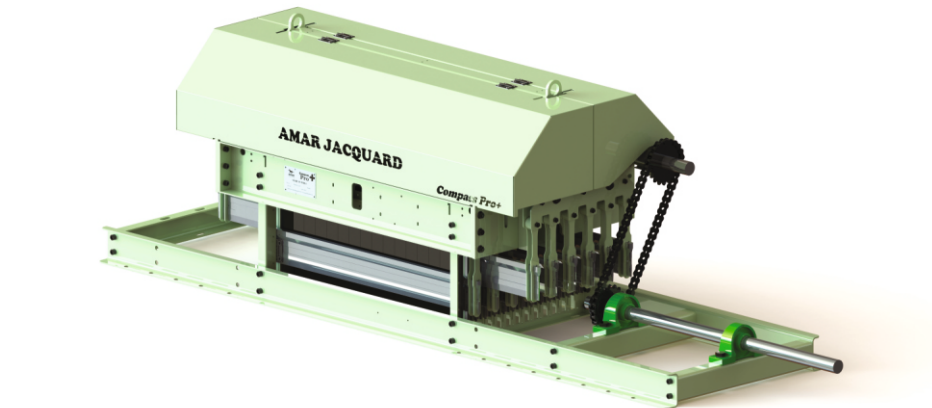
www.amarjacquard.com



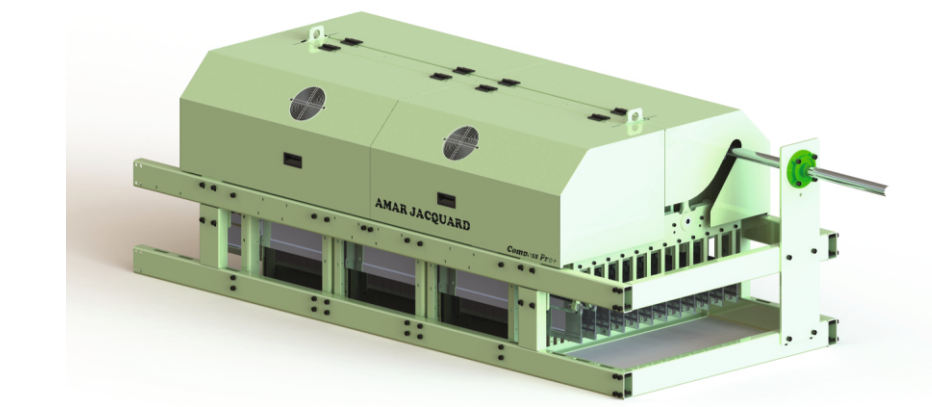
ELECTRONIC JACQUARD
COMPASS Pro+



2048 to 6144



1792 to 2688



640 to 1536



AMAR JACQUARD
SINCE 1975

COMPASS SERIES
Pro

ELECTRONIC JACQUARD

COMPASS Pro+



AMAR JACQUARD
SINCE 1975

Amar Electronic Jacquard machines Compass Model are ideal for weaving flat Fabrics on Shuttle Loom and Crank type Rapier Loom. They produce excellent results in nearly all applications whether with Terry Cloth, Sarees, Shawls, Stolls etc.

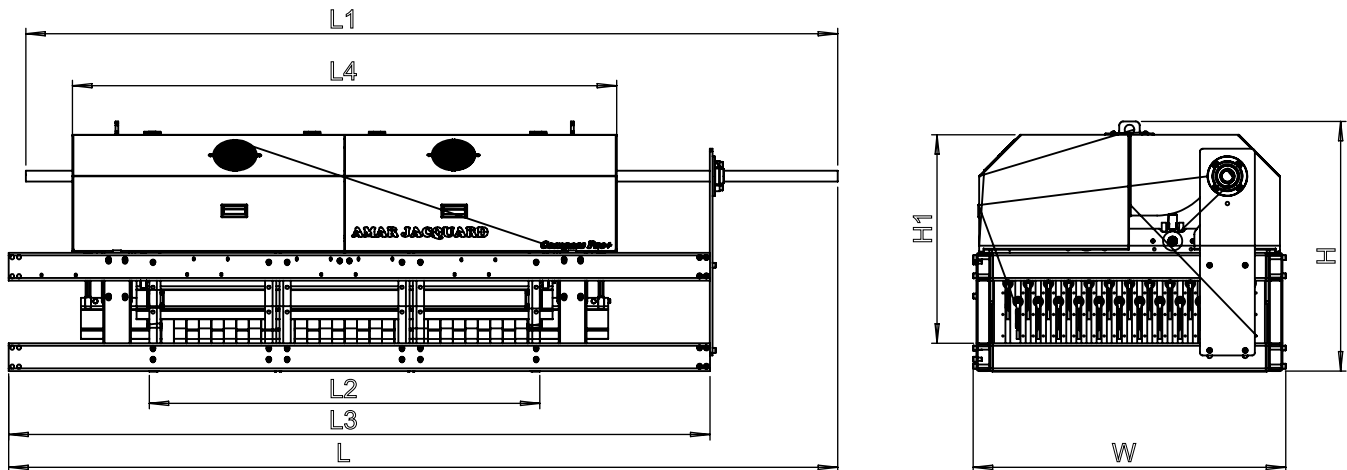
Advantages

- The Jacquard machines Compass Pro+ is very Robust, Wear-resistant and designed for many years of daily use with a minimum of maintenance.
- Quick and Easy to install.
- Precise Kinematics with No Vibration.
- Low Friction Engineering reduces Energy Consumption.
- Safe, Straight Forward Access to make Machine Adjustment.

Drive system & shedding - Double Lift open shed Jacquard Machine

- Model Available are 448, 640,704,960, 1344, 1536, 1793, 2048, 2688, 3072, 3648, 4032, 3370, 6144.
- Precise Adjustment of Shed Geometry
- Main Drive Available With Chain System.
- High Quality Aluminum Blades for Low Vibration
- Shedding option from 75mm to 115mm

Amar Jacquard Mechanism is solid structure mechanism. All the material of Gears, iron and Casting are well tested material. All bearings are made of well known brands like NSK and ARB.



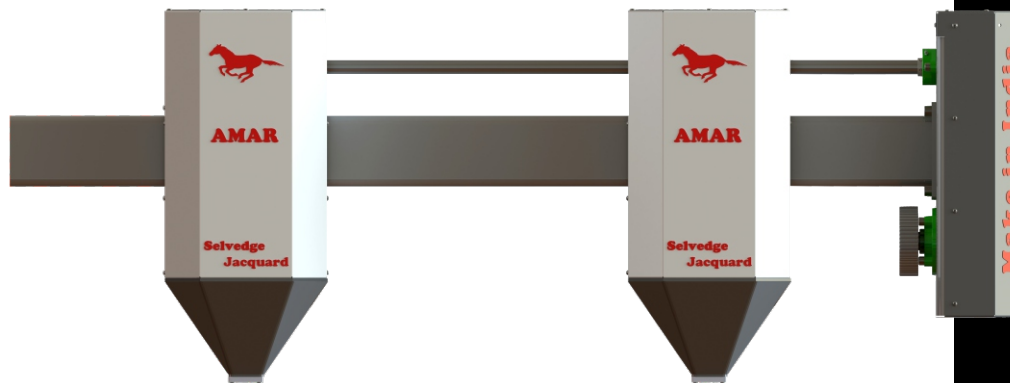
MODEL	L1	L2	L3	L4	L	H1	H	W
1792	2420	734	2050	1315	2507	742	895	800
2048	2600	850	2140	1406	2592	742	895	800
2688	2600	1078	2140	1634	2592	742	895	800
3072	2733	1214	2270	1805	2727	742	895	800
4032	3000	1080	2561	1625	3018	762	912	1120
5376	3000	1427	2561	1988	3018	762	912	1120

Note- All sizes in mm.

HIGH SPEED

NAME WRITER JACQUARD

ARROW PRO +



The new generation of Name Jacquard machines, the **ARROW SERIES**, provides true added value to premier fabrics by enabling the brand name to be woven into selvedges, hereby guarding against counterfeit.

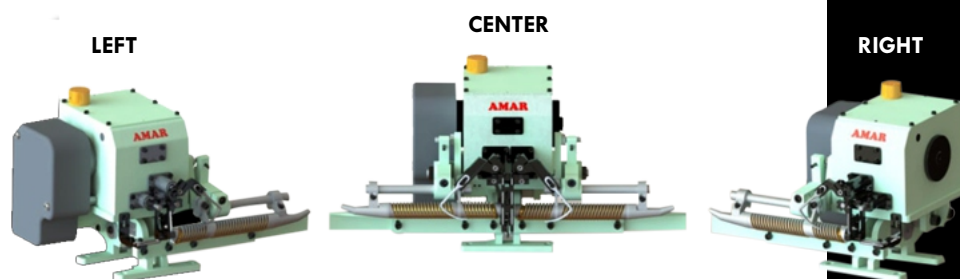
The high-performance **ARROW SERIES** Jacquard machine is particularly suitable for weaving custom labelling into selvedges and fabrics of designer garments woven with wool or cotton.

Configuration

- Speed upto 900 RPM
- Hooks Range - 72, 80, 128, 144, 256
- Suitable for all types of Rapier & Airjet Looms
- Precise kinematics with no vibration
- Latest technology touch screen controller (NEO series).
- Servo motor and timing belt

HIGH SPEED

TUCK - IN - DEVICE



Configuration

- Application - All types of rapier loom (high speed)
- Spec - Left, right and centre
- Max speed - 600 RPM
- Suitable yarns - Natural fiber including cotton, wool, linen
- Installation - Easy to install and adapt



AMAR JACQUARD
SINCE 1975

MANUFACTURING PLANT & CORPORATE OFFICE

D9-D14, Hampton Court, Business Park, Near Fortis Hospital,
Chandigarh Road, Ludhiana - 141012, Punjab, INDIA.

☎ +91 - 98150-00512 | 98157-00577

✉ info@amarjacquard.com | sales@amarjacquard.com |

🌐 www.amarjacquard.com

BRANCH OFFICE

SRINAGAR (J&K)

Hawal, Ranga masjid, Near White House, Srinagar

AMRITSAR (PUNJAB)

Plot No. 4, Near Choudhary Farm House, Chabhal Road, Amritsar

VARANASI (BANARAS)

Chandapur, Charampur, Lohta, Varanasi, (U.P)

KOLKATA (WEST BENGAL)

Bag Devipur Santipur, Nadia, Kolkata

SURAT (GUJRAT)

Laxmi Villa Township, CF-10, E-Building, Road No. 9, B/H, GIDC SACHIN, Surat

BELGAUM (KARNATKA)

Near Industrial Co-op, Bank, Basveshwar Circle, Khasbag, Belgaum

BANGALORE (KARNATKA)

Chaitanya Nagar, Near Dathathreya, Kalyan Mantapa,
Doddaballapuram, Bangalore, Karnataka - 561203.

HINDUPUR, ANANTHA PURA (ANDRA PRADESH)

M.r. Palli, Hindupura, Anantha Pura, Andra Pradesh - 515201.

SALEM (TAMILNADU)

Elpillai Road, Sankari (T.K), Salem (D.T)

INTERNATIONAL BRANCH OFFICE

BANGLADESH (SIRAJGANJ)

Nur Islam House, 1st Floor, Shernagar, Belkuchi, Sirajganj

BOLIVIA (SOUTH AMERICA)

58, Villa Avaroa, Street 139N, El Alto, La Paz, Bolivia

NEPAL (SIRAJGANJ)

JORPATI, KATHMANDU (NEPAL)



www.amarjacquard.com

